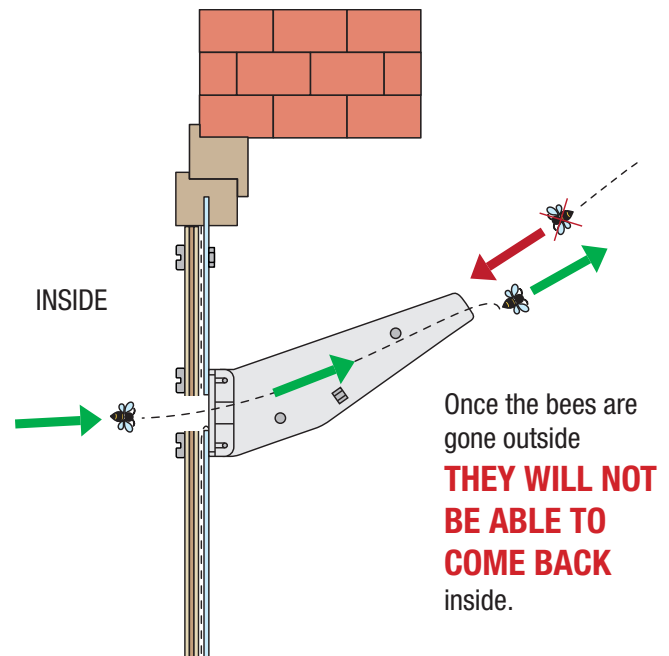
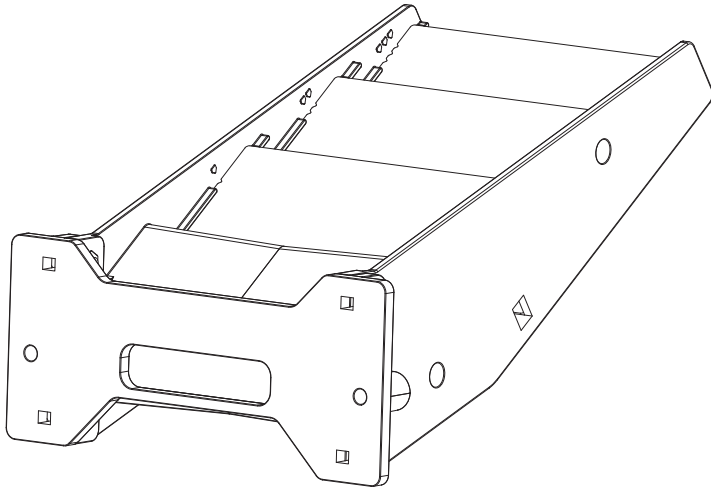


PASSAFUORI API MOZZATO



API-MO.BRU



WHAT DO YOU NEED TO INSTALL THE PASSAFUORI API?

- a transparent sheet of Plexiglass or poliver (best thickness: 2 to 4 mm)
- a plywood sheet (best thickness: 10 mm)

- a fine mesh net like a mosquito net
- a drill with a drill bit D. 4,5 mm
- a reciprocating saw
- a small file (round or barrette)
- screws and bolts
- drawing pins
- a cutter
- a ruler

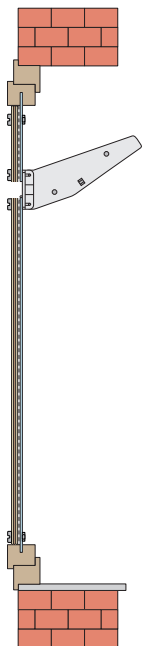


API-MO.BRU di Mozzato Bruno
Via Palazzon 48 - 35010 Campodoro (PD)
Tel. 049 9065542 - info@apimobru.com
www.apimobru.com

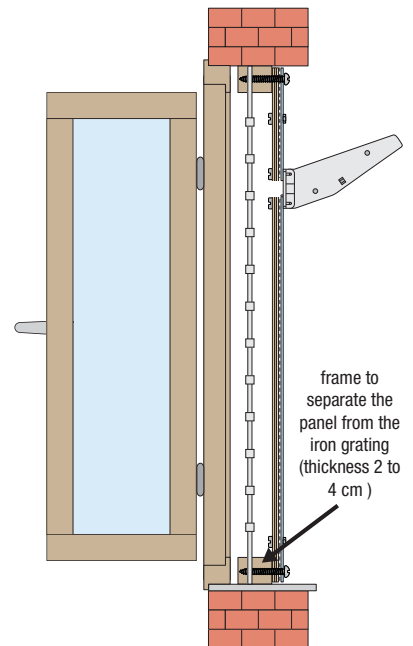
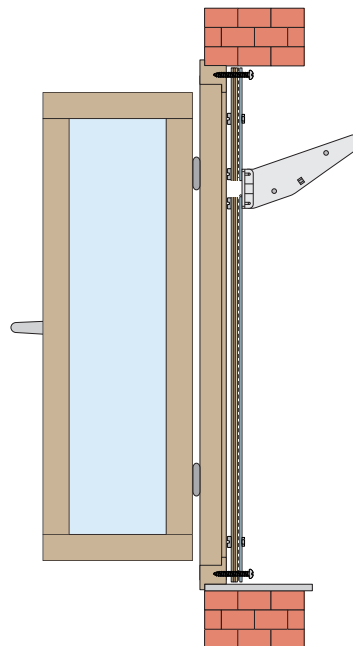
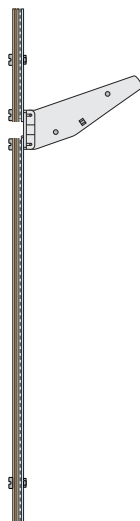


Video tutorial on web site www.apimobru.com

EXAMPLES OF APPLICATION



PANEL FIXED OUTSIDE



1

The PassaFuoriApi can be fixed to a window, substituting the plexiglass or poliver sheet for glass. The plywood sheet will be then affixed to the plexiglass.

2

In case the glass cannot be replaced, you can make a panel constituted by 3 sheets: (plywood sheet, fine mesh net and plexiglass) to be affixed outside (see picture 3 and 4)

3

The panel carrying the PassaFuoriApi can be affixed to the outer frame of the window

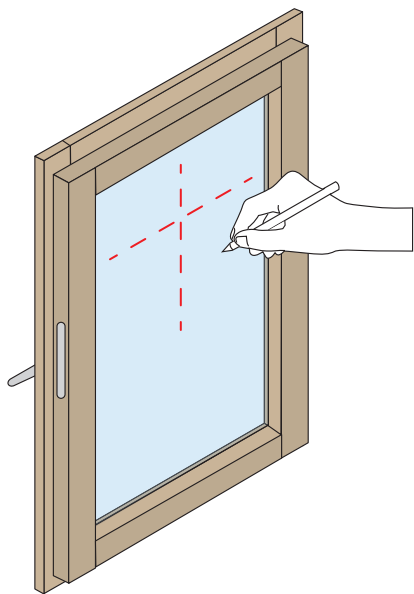
4

In case of an iron grating the panel can be applied to it.

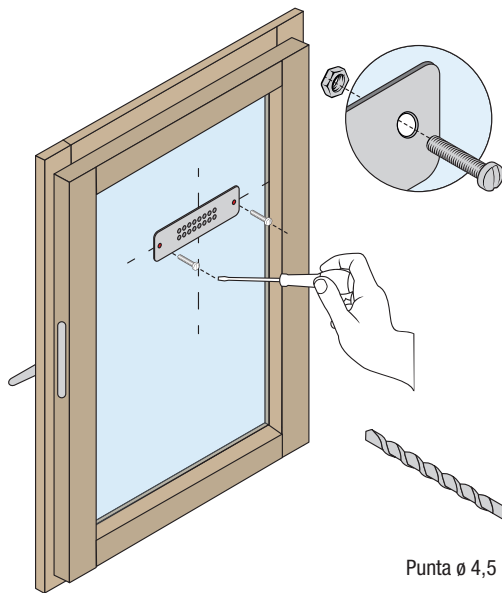
PASSAFUORAPI MOZZATO

PassaFuoriApi is a particular tool that allows, the bees trapped inside the rooms where the honey is collected or inside the honeycomb warehouse, to go outside. Moreover the PassaFuoriApi does not permit them to come back inside. In this manner, beekeepers would be able to work smoothly in a room free of bees and clean.

Video tutorial: www.apimobru.com

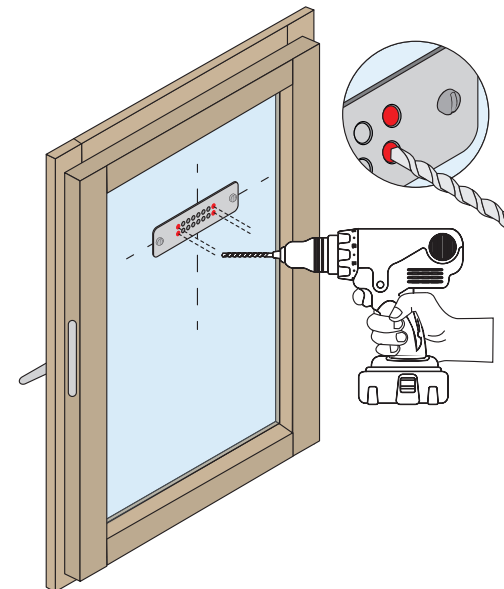


1 Draw the position where to fix PassaFuoriApi on Plexiglass.

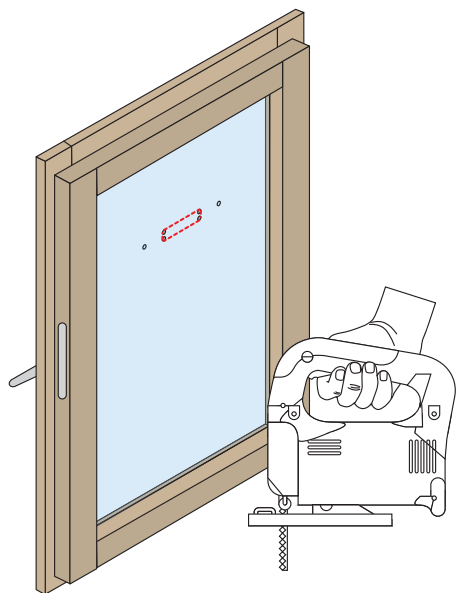


Punta \varnothing 4,5

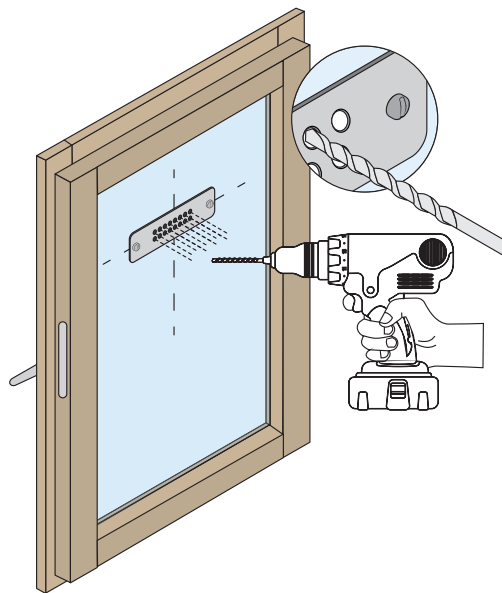
2 Place the jig in the specific position and drill plexiglass in the two lateral positions, secure the jig to Plexiglass sheet using screws and bolts.



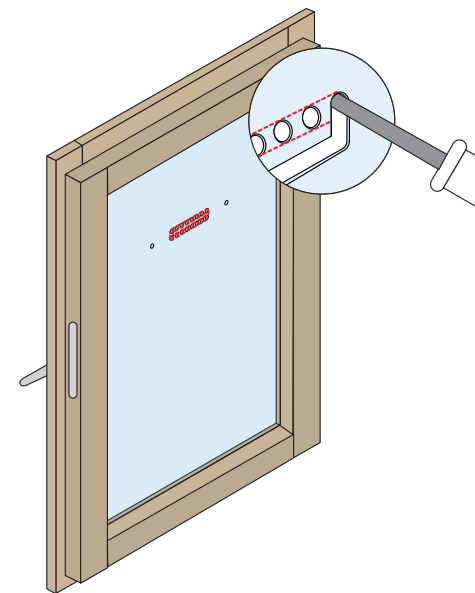
3/a **METHOD A:** By means of the jig drill the Plexiglass sheet in the 4 corner holes (coloured red in the sketch).



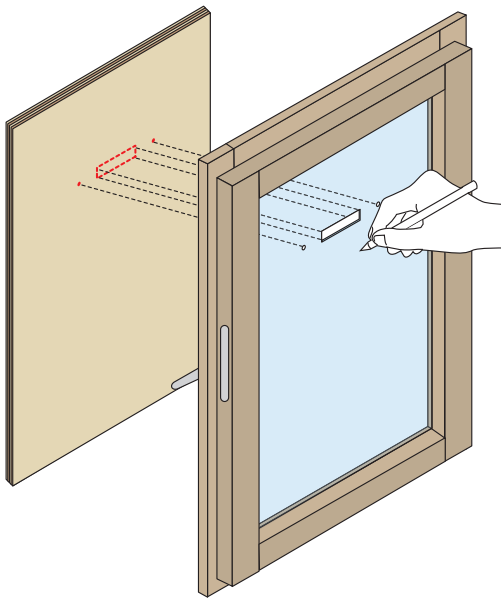
4/a **METHOD A:** Unscrew and take away the jig. By means of a reciprocating saw cut a hole on Plexiglass sheet (following the red trace on the drawing).



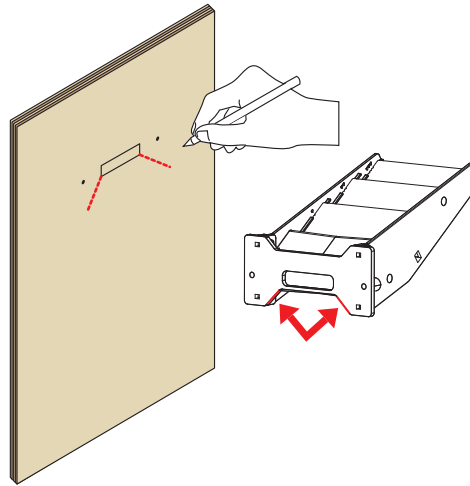
3/b **METHOD B:** Use the jig fixed to Plexiglass to drill the sheet on the remaining 16 positions.



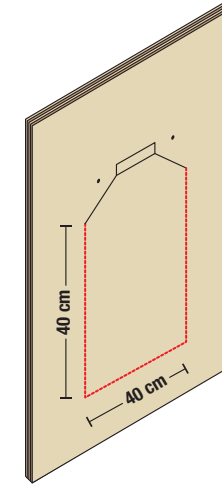
4/b **METHOD B:** Unscrew and take away the jig. By means of a small file take away the material among the holes.



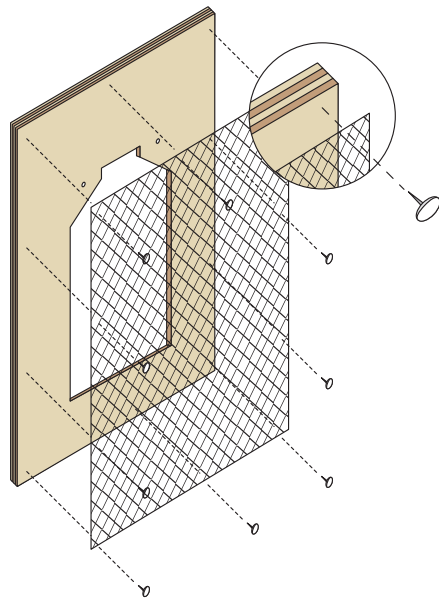
5 Place a plywood sheet on the window and copy on wood the holes of Plexiglass by means of a pencil.



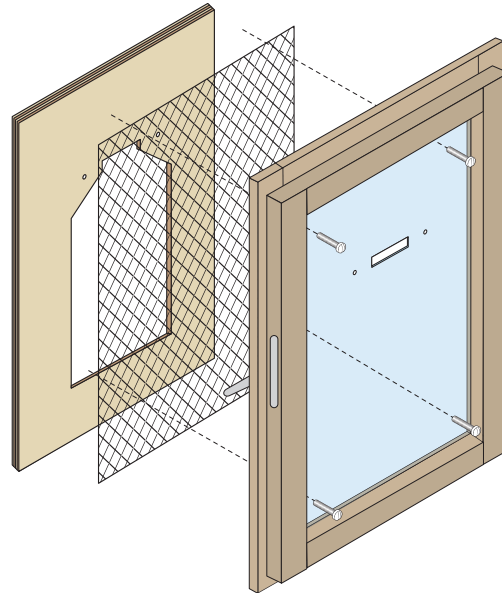
6 Put PassaFuoriApi on the plywood in a way that the holes correspond each other. Draw the 2 oblique lines downward.



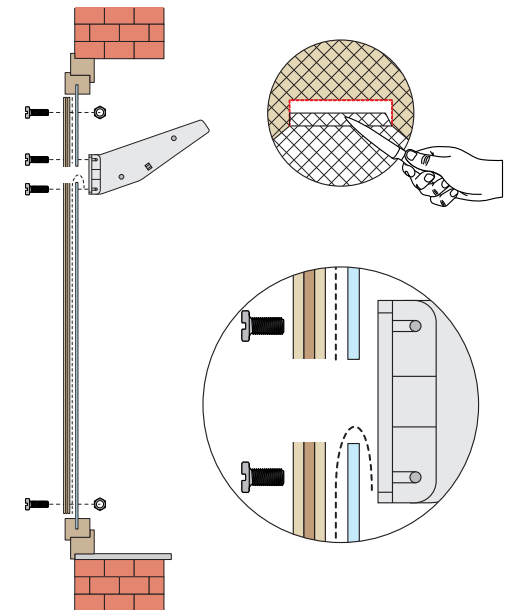
7 Following the oblique lines draw a trace on wood of around 40x40 cm. Cut the wood following this trace and drill plywood on the fixing holes.



8 Affix the fine mesh net to the wood by means of drawing pins. The net has to be large enough to cover the opening.



9 Join the plywood and Plexiglass by means of screws and bolts with the net between them.



10 Using a cutter cut the net in the position corresponding to the hole in the Plexiglass. Do not cut the down side. Bend the net towards outside and secure it connecting the PassaFuoriApi to the Plexiglass sheet.